

613 M

ATM-LEVAGE  
Location de grues & mini grues

# SENEBOGEN



# 613E

Grue télescopique de chantier mobile



92 kW



16 t



24 m



MULTICAB

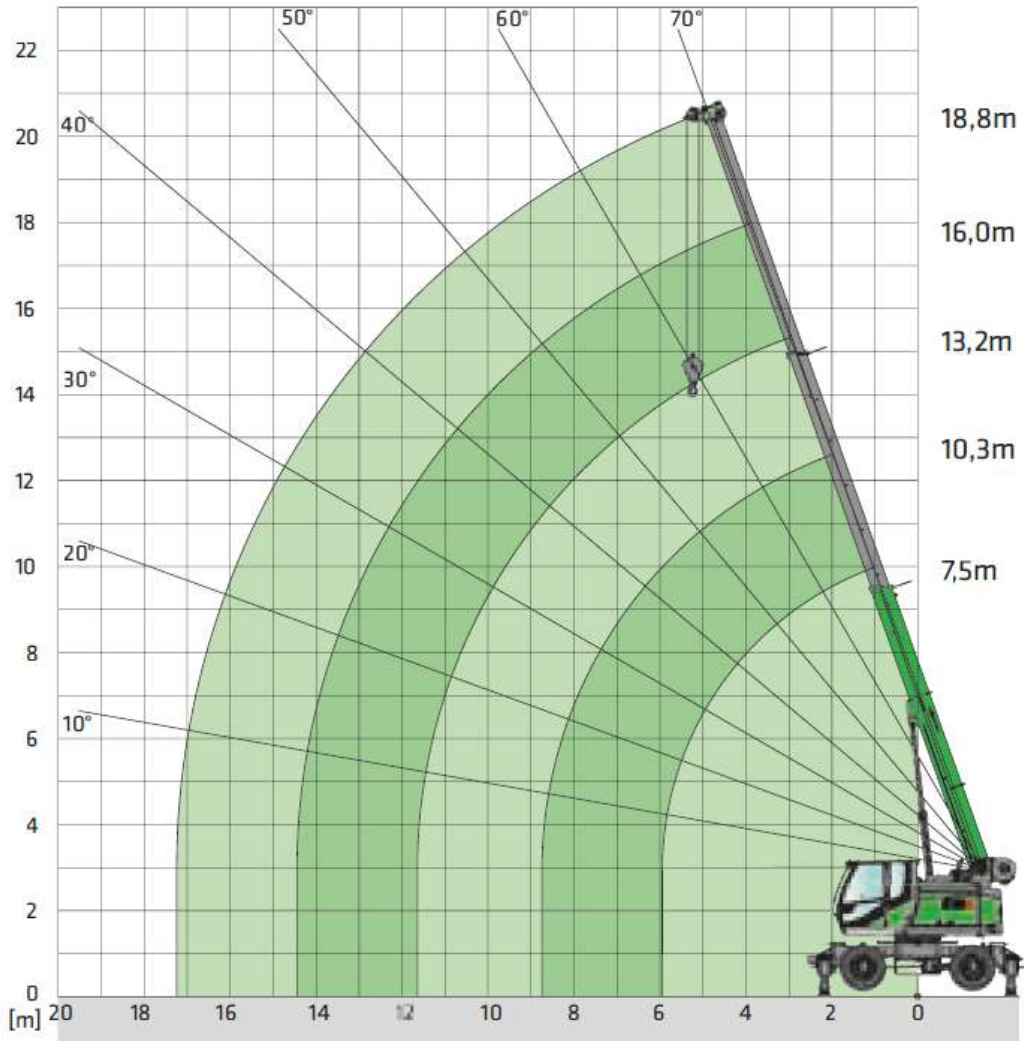
[www.atmlevage.com](http://www.atmlevage.com)

Tier IV emission standards

# 613E



## Flèche principale 18,8 m

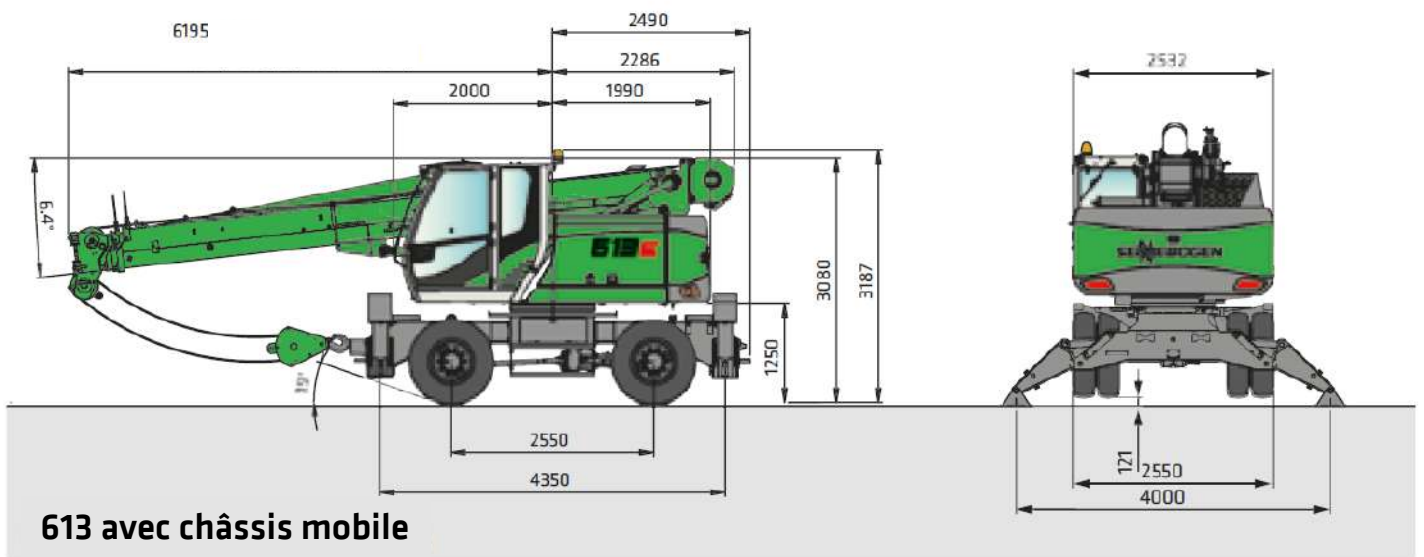


## Flèche principale 18,8 m

Portée (m)	Longueur de flèche (m)				
	7.5	10.3	13.2	16	18.8
2.0	15.0 (12.0)				
3.0	13.3 (8.3)	10.0 (8.4)			
4.0	10.6 (5.3)	10.0 (5.3)	8.0 (5.4)		
5.0	8.5 (3.7)	8.6 (3.8)	8.0 (3.8)	6.0 (3.9)	
5.5	7.5 (3.2)	7.6 (3.4)	7.4 (3.4)	6.0 (3.4)	4.5 (3.4)
6.0	5.7 (2.9) / 6.0 m	6.7 (2.9)	6.7 (2.9)	5.9 (2.9)	4.5 (2.9)
7.0		5.2 (2.3)	5.3 (2.3)	5.2 (2.3)	4.5 (2.3)
8.0		4.2 (1.8)	4.3 (1.8)	4.3 (1.8)	4.1 (1.9)
9.0		3.6 (1.5) / 8.8 m	3.5 (1.5)	3.6 (1.5)	3.6 (1.5)
10.0			3.0 (1.2)	3.0 (1.2)	3.0 (1.2)
11.0			2.6 (1.0)	2.6 (1.0)	2.6 (1.0)
12.0			2.4 (0.9) / 11.6 m	2.2 (0.8)	2.3 (0.8)
13.0				2.0 (0.7)	2.0 (0.7)
14.0				1.7 (0.6)	1.7 (0.6)
15.0				1.6 (-) / 14.4 m	1.5
16.0	Table no.: 613M18.8/75/2000/41/08.06. boom (deployed outriggers) Table no.: 613M18.8/75/2000/41/08.06. boom (free-standing)				1.3
17.0					1.1 / 17.3 m



# 613E Dimensions de transport



## Rayon de braquage

